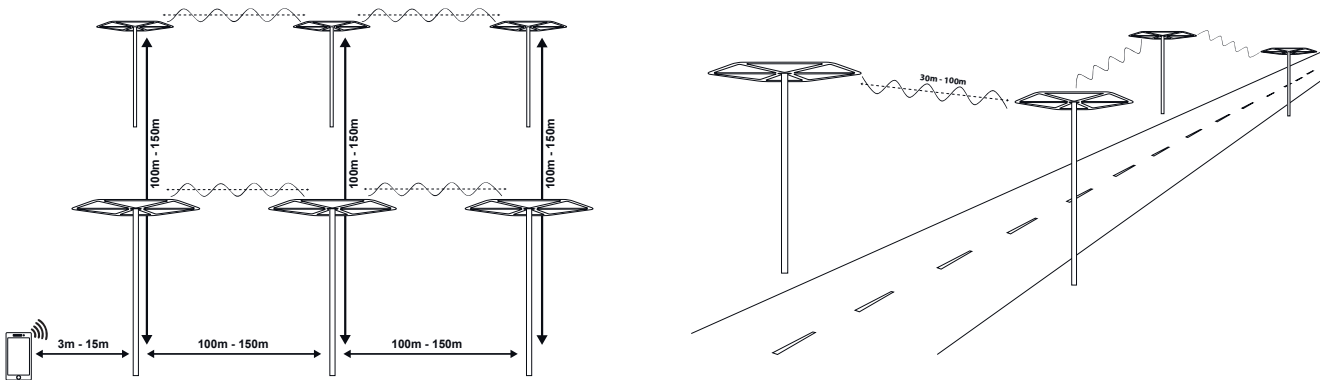


Smart Technology

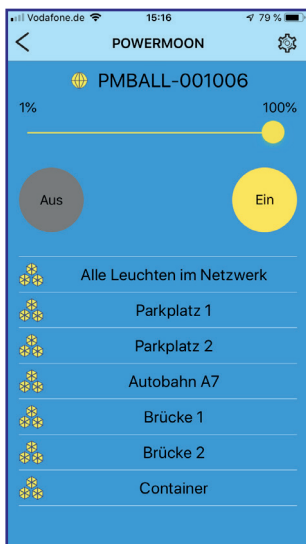
POWERMOON®
LED

TRANSFORMER

The new POWERMOON® TRANSFORMER® is equipped with manual dimming over a switch connected to the cable and also via bluetooth remote-control over the new POWERMOON® Mobile App. The particularly innovative feature of the POWERMOON® App is that it is the first on the market providing ``Long-Distance-Control`` for the lights from a distance of 50-120 meters.



The light of the POWERMOON® can be comfortably remote controlled while driving past them in a car or while sitting in a container up to 120 meters away from the POWERMOON® TRANSFORMER®. The lights communicate with each other through Bluetooth so you have the option of controlling the lights on a highway up to 15km with just one click ON or OFF on the POWERMOON® Mobile App. Additional features include an automatic ON/OFF switch for the lights on your chosen hours and days or with the option of opening or closing the lights automatically at sunrise/sunset.



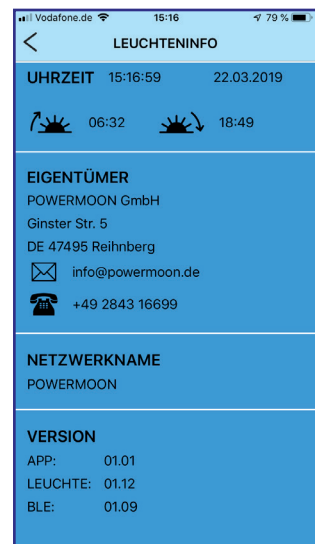
- Turn On or Off
- Dimming
- Group Control



- Weekly Calendar
- Group Assignment



- Sunrise-Sunset
- Astronomically / Time based
- Delay Dimming



- Info Overview
- Owner
- Network